

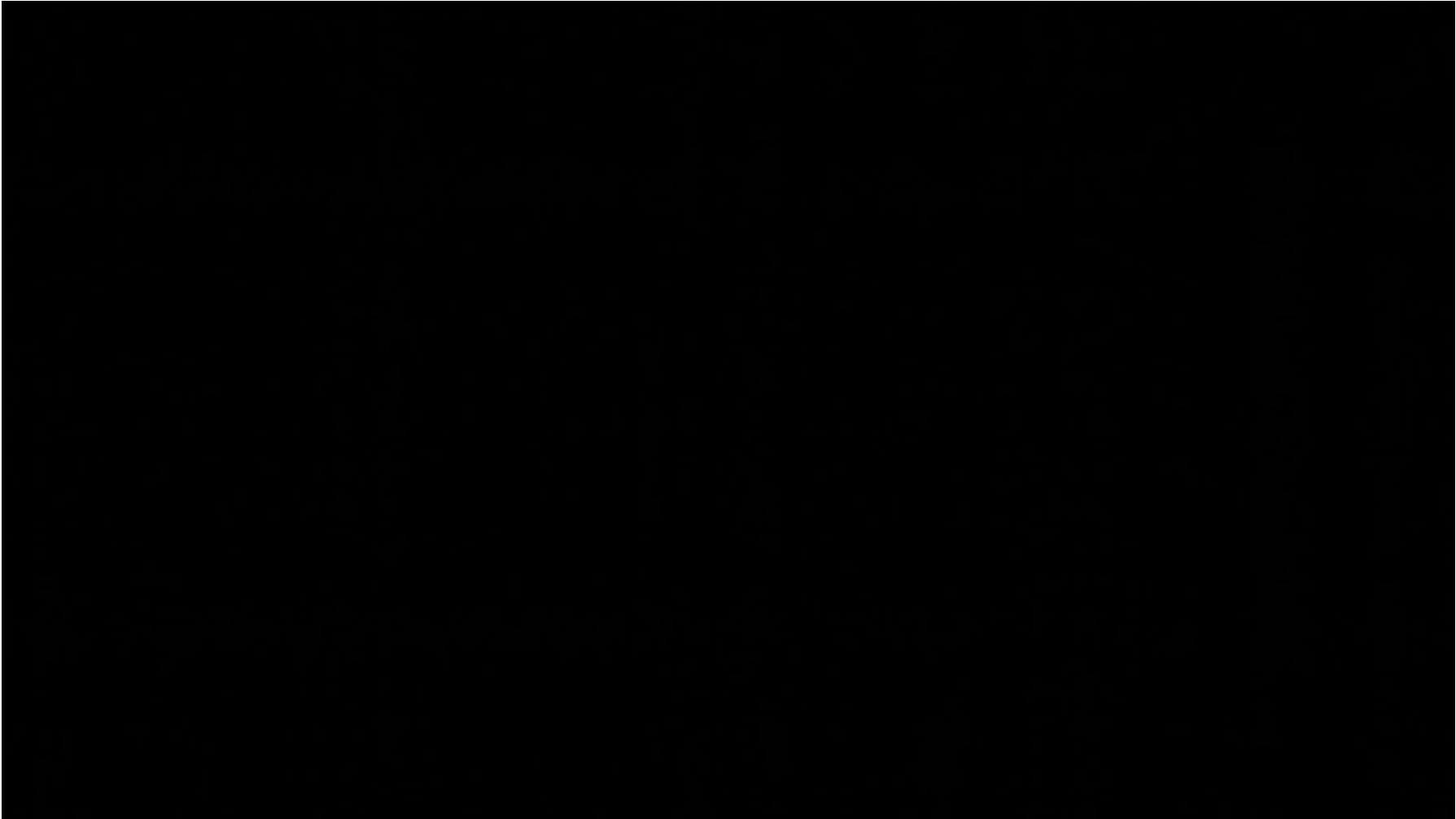
# FixChip®

## Smart nesting connectors



FixChip® | 18. September 2025

# This is FixChip!



# FixChip® – Smart Nesting Connectors

Unlock the full potential of CNC nesting with FixChip®. Designed for seamless integration with CNC nesting machines, it eliminates secondary operations, streamlines production, saves time, reduces costs, and enhances accuracy.

## **One-Step Production. Maximum Efficiency.**

FixChip® enables milling and joint processing in a single production run—no extra machines, no manual finishing. The result? Faster production cycles, higher precision, and lower investment in machinery.

## **Effortless Assembly, Superior Results**




After CNC processing, panels assemble quickly with FixChip®, secured with glue and/or screws. Seamless CAD/CAM integration makes even highly customized projects efficient and hassle-free.



# Advantages of the FixChip Method

- 1 All processing on a single machine
- 2 100% precise connections
- 3 Reduced production time
- 4 Lower investment in machinery
- 5 Sustainable solution

## Results:

-  Lower total processing costs
-  Higher profit margins
-  More time for other tasks

With FixChip<sup>®</sup>, maximize automation, precision, and profitability—effortlessly.

# FixChip method changes the businessmodel: Case GOPA

- GOPA is a regional builder in Belgium of high-end custom kitchens and interiors
- Annual turnover: 5 – 6 mln
- Average kitchens p.y.: 215
- Employees: 34





**“The FixChip method changed our way of working and actually solved many problems”**

Benny Goossens, owner GOPA kitchens

# Profitability increase case gopa >35%

## Impact of using the FixChip method

- Fewer machines needed in the workshop (less maintenance and fewer parts)
- Reduced need for workshop staff, especially as skilled personnel are hard to find
- Staff no longer required to operate all machines
- Easier assembly process, leading to fewer errors and service calls
- Easier transport and installation; difficult locations are more accessible with on-site assembly
- Results +/-: “Different for every business”
  - -2 fte
  - 25% more customers can be served in the same time
  - Estimated € 200.000 a year cost reduction

# FixChips are featured in the most luxurious yachts



AMELS 

DAMEN  
yachting



**FEADSHIP**  
ROYAL DUTCH SHIPYARDS

oceAnco

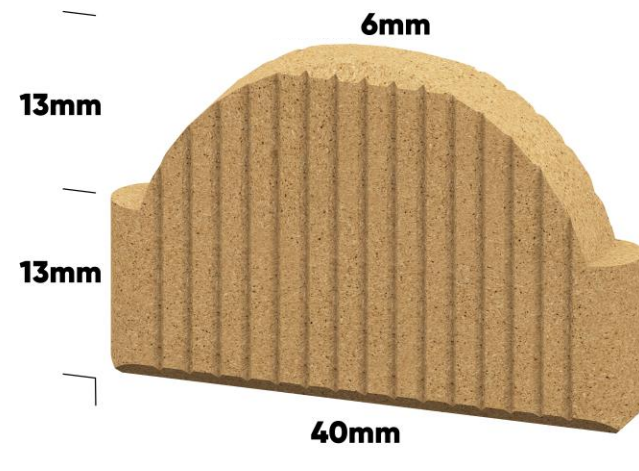


**HOOGENDOORN**  
Maritieme betimmeringen en interieurbouw

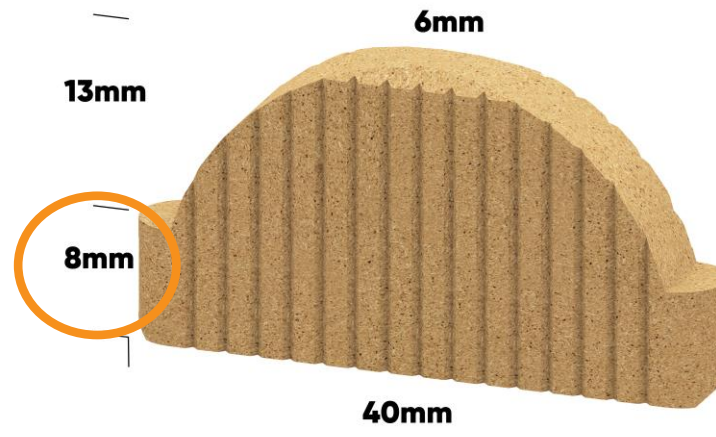


# Product: FixChips in two sizes

FixChip original



FixChip Mini



5 mm shorter,  
ideal for thinner  
panels (10-15 mm)  
or shelves

# Product Details

- Primarily used to connect CNC-machined wooden panels
- Made from HDF wood Invisible joint for a clean finish
- Optimal for 90° connections
- Other angles possible using an aggregate or 4- or 5-axis CNC machine (22.5° - 135° for panels ≥ 18 mm)
- The shape and grooves facilitate easy gluing
- Dimensions: 40 mm wide, 6 mm thick, minimum 13 mm depth – large contact area for strong bonding
- Packaging: Stored in durable, sealable buckets to prevent moisture-related swelling
- Tolerance: ±0.05 mm

## Usage Benefits

- ✓ A true nesting connector – requires only 35 mm between workpieces
- ✓ No special (hand) tools or aggregates needed
- ✓ Can be glued and/or screwed (screwed joints can be disassembled)
- ✓ Processed entirely on the main spindle of a CNC machine, ensuring zero deviations and perfectly tight connections



# A sustainable connector

- The FixChip is a strong, durable, and eco-friendly wooden connector made from High-Density Fibreboard (HDF) as a sustainable alternative to plastic. Our HDF comes from PEFC- and FSC<sup>®</sup>-certified forests, supporting responsible forestry.
- Produced in-house in the Netherlands using 100% renewable energy and heat pumps, our FixChips are made in an energy-neutral process. They are packaged in reusable buckets, eliminating single-use packaging.

Available in pefc<sup>®</sup> and fsc<sup>®</sup>



FixChip offers PEFC  
certified products



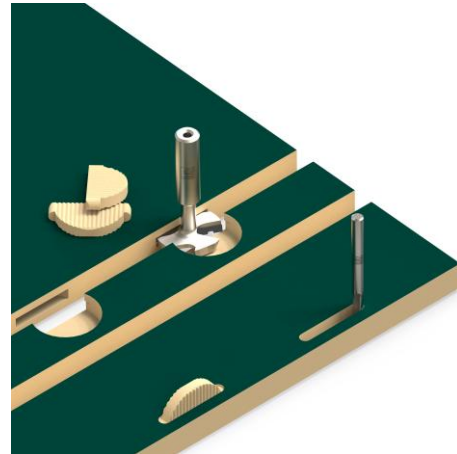
The mark of  
responsible forestry

# Fixchipping leads to better results

- Business owners can optimise their entire business operations and reduce total production costs.
- From traditional: cutting, milling, dowelling (=3 machines) and associated staff hours To a single nesting machine and fewer staff hours
- Less craftsmanship required
- Work preparation and software (library) make projects easier to realise (copy paste).
- Save space in the workshop
- More time for you business
- Less margin for error!
  - Less movement of materials
  - less chance of scratches and bumps, etc.
  - less lifting for employees



# Leitz worldwide tool and service partner



# A winning formula!



We believe that CNC nesting technology, combined with the FixChip® method, will ultimately fulfill the industry's need for affordable, high-quality, custom-made furniture.

**Companies that embrace this will have a bright future!**

**We are on a mission!**

**“Before the end of this decade, *fixchipping* will be a common term in our industry”**

The FixChip method is rapidly becoming a recognized concept in the custom interior, cabinetry, and kitchen-making industry.

As the only fully sustainable wooden joint that enhances production efficiency with CNC nesting technology, FixChip is poised to become known as the smart, simple, and no-nonsense connector that empowers interior builders to complete projects more economically.



# Where to buy FixChips?

[www.fixchip.com](http://www.fixchip.com)



And available at

HÄFELE

## FixChip Sample®

Get to know the FixChip method and discover the precision and simplicity of this innovative joining method for CNC nesting technology. The **sample kit** contains a selection of **FixChips** and **FixChips mini**, so you can test the quality and fit yourself.

SEE PRODUCT



## FixChip® Starterkit

The **FixChip Starterkit** contains everything you need to get started with the FixChip method right away. With **500 FixChips**, **100 Mini FixChips** and **two high-quality Leitz PCD cutters (6mm and 35mm)**, you are assured of an efficient and accurate joining method.

SEE PRODUCT

## FixChip®

**FixChip.** The Smart Nesting Connector that helps **optimize your production process.** Available in convenient packs of 5000, 1000 pieces – just the right amount for every user.

SEE PRODUCT



# Questions ?

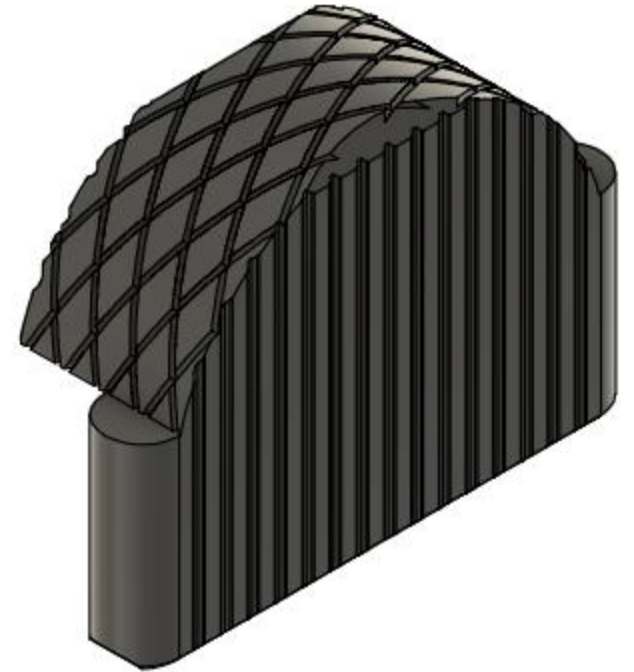


And now the newest lightbuild-version  
from the original FixChip...

PROTOTYPE

New

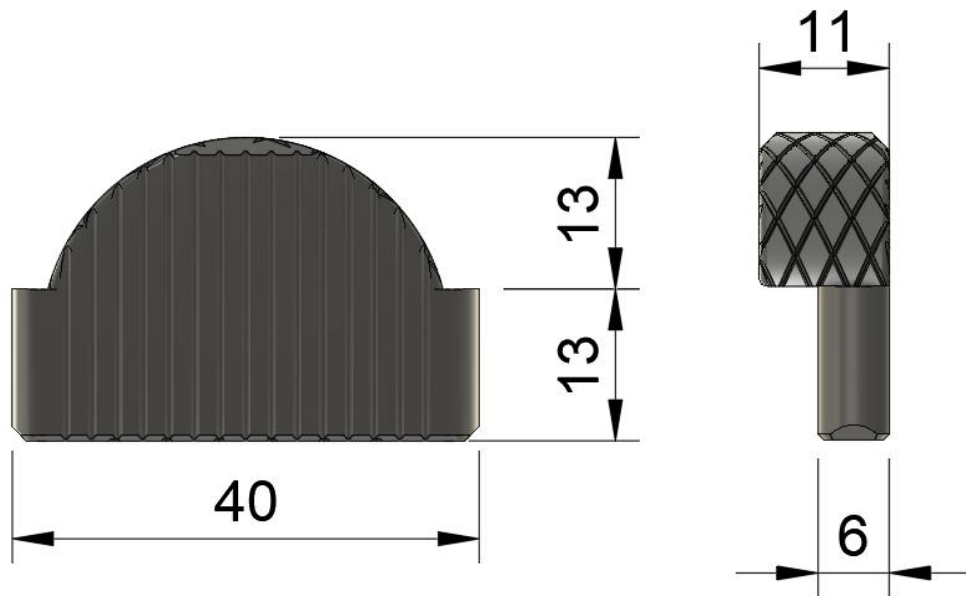
FixChip light 15-16 & 18-19



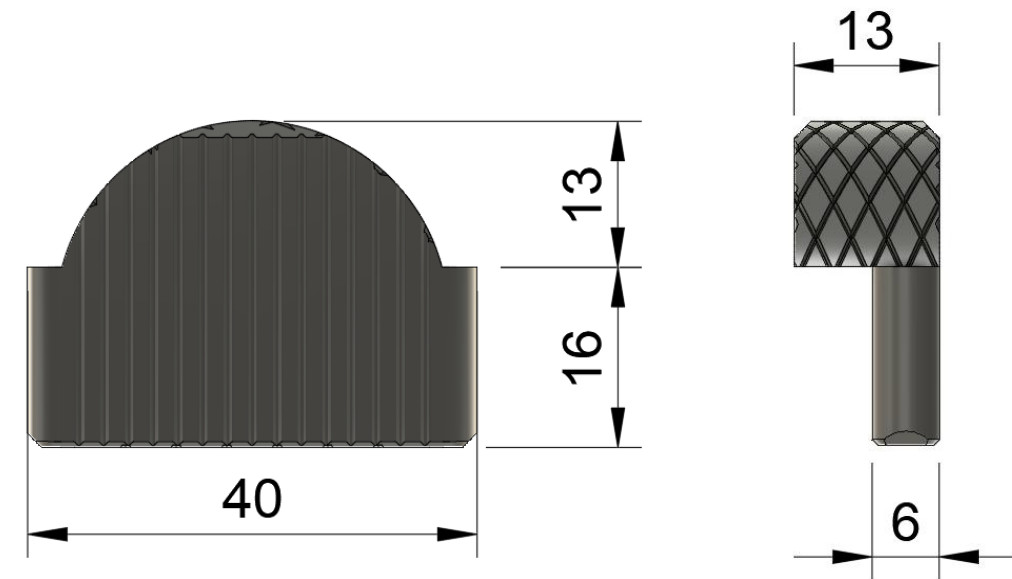


# Product: FixChips in two sizes

FixChip light 15-16



FixChip light 18-19



# Product Details

- Primarily used to connect CNC-machined wooden panels
- Made from eco-friendly polymers (pre-production fase testing)
- Invisible joint for a clean finish
- Optimal for 90° connections
- The shape and grooves facilitate easy gluing
- Dimensions: 40 mm wide, 13 and 11mm thick, 16 and 13mm depth – large contact area for strong bonding
- Packaging: Eco-friendly packaging
- Tolerance:  $\pm 0.05$  mm

## Usage Benefits

- A true nesting connector – requires only 35 mm between workpieces
- No special (hand) tools or aggregates needed
- Needs to be glued with PU glue
- Processed entirely on the main spindle of a CNC machine, ensuring zero deviations and perfectly tight connections

# Available soon .....



# Questions ?



**Thank you for your  
attention!**

**lllllliggeL**

Interessengemeinschaft Leichtbau e. V.